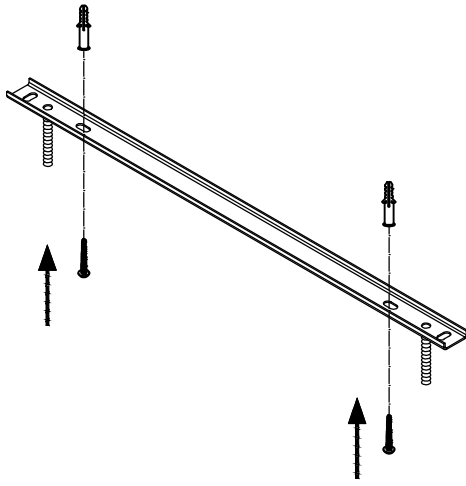
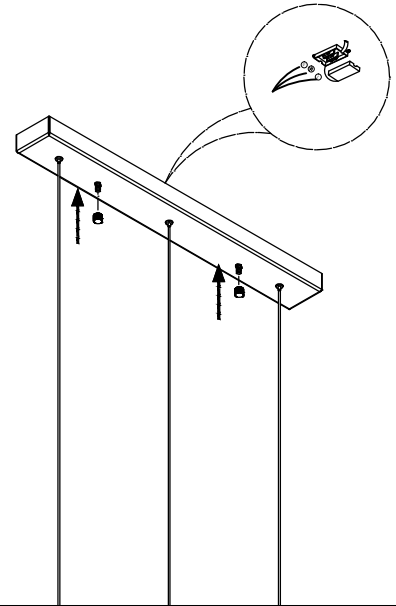


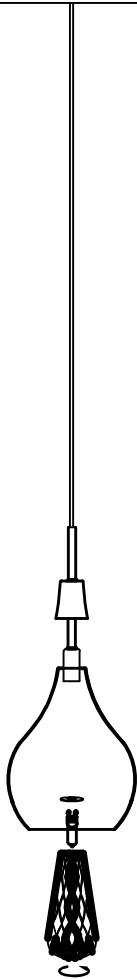
1



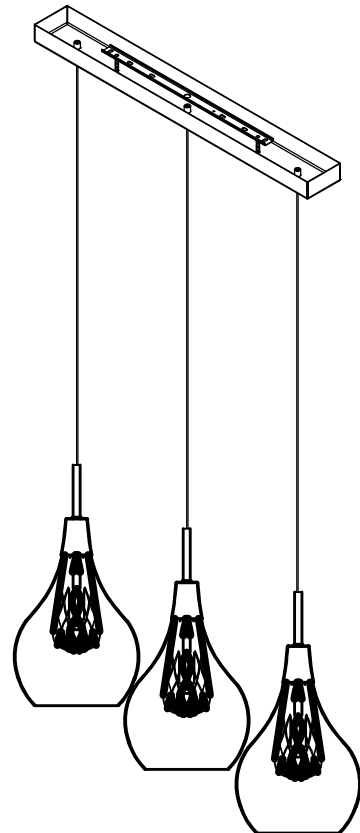
2



3



MD115002028-3B



1. This light fitting operates at a normal supply voltage of 230V.
2. When changing the bulb or fuses, always switch off at the mains and allow the old bulb to cool down before handling.